



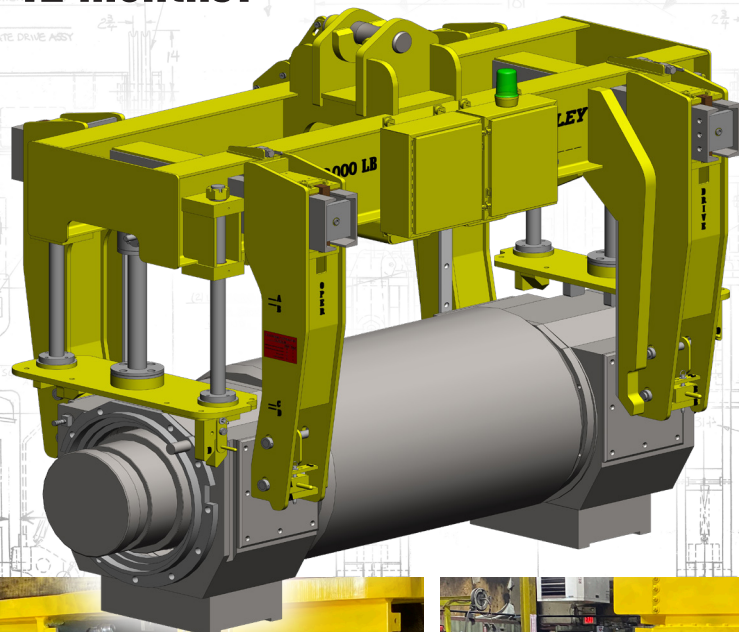
Xtek

Precision Maintenance

Are your below-the-hook lifting devices regularly inspected and maintained to maximize their lifespan, enhance your productivity, and promote safer operations?

Did you know all below-the-hook lifting devices must be inspected at least every 12 months?

Do you have OEM factory-certified technicians and mechanics inspect, repair, and maintain your equipment?



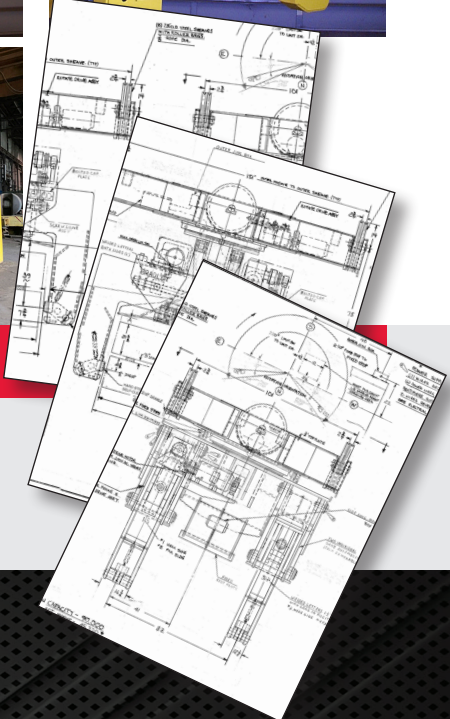
XPM FACTORY CERTIFIED



Let Xtek Precision Maintenance (XPM) put your mind at ease.

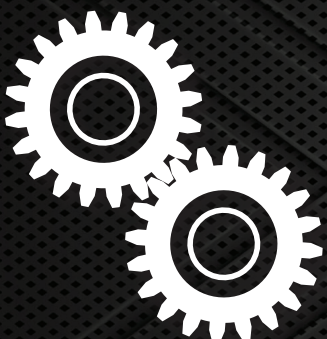
XPM has partnered with Bradley Lifting to create an extensive training program that certifies both XPM field service inspectors and the XPM service facility. This certification program leverages Bradley's 50+ years of experience in engineering, manufacturing, and refurbishing below-the-hook lifting equipment and combines it with XPM's skills as mechanics and welders. XPM can support your lifting equipment needs with a wide range of capabilities:

- On-site visual lifter inspections by **Bradley factory-certified technicians.**
- Inspections **adhere to OSHA and ASME B30.20** requirements.
- XPM has full access to Bradley Lifting drawings, parts, maintenance records and Service Engineers for technical support.
- Full teardowns and inspections of lifting equipment at XPM include a **detailed electronic reconditioning report** with recommendations for repair, replacement, and reuse of each component.
- **Expedited** diagnosis and repair is available.
- Experienced in **repair and reconditioning of all OEM brands.**
- 24-hour emergency service, contact at (270) 994-7419.



Contact Xtek Precision Maintenance

If you have been looking for a customized inspection and maintenance contact us today at xtekprecisionmaintenance.com/contact-us or (270) 443-8444.



Xtek Precision Maintenance

Xtek Precision Maintenance
1250 South 4th Street
Paducah, Kentucky 42003
270.443.8444
www.xtekprecisionmaintenance.com